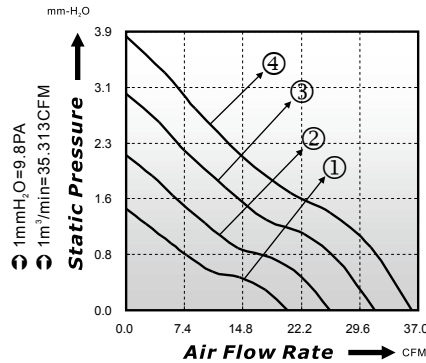


# 80x80x20mm

## Model A

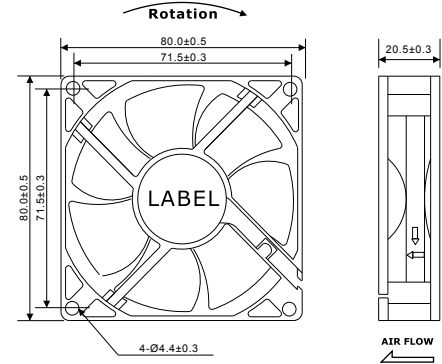


### P-Q Curve (At Rated Voltage)



### Dimensions Drawing

Unit: (mm)



Model No	Bearing (*)	Rated Voltage (VDC)	Rated Current (A)	Power Consumption (Watts)	Speed (rpm)	Air Flow (CFM)	Static Pressure (mmH <sub>2</sub> O)	Noise (dBA)	Curve
ED08020-12L*	○ ● ⊖	12	0.08	0.96	2000	20.42	1.42	21.9	1
ED08020-12M*	○ ● ⊖	12	0.12	1.44	2500	25.87	2.17	26.8	2
ED08020-12H*	○ ● ⊖	12	0.18	2.16	3000	31.53	3.03	31.7	3
ED08020-12HH*	○ ● ⊖	12	0.24	2.88	3500	36.17	3.84	35.9	4
ED08020-12VH*	○ ● ⊖	12	0.65	7.80	5400	55.81	9.14	48.9	5
ED08020-24L*	○ ● ⊖	24	0.05	1.20	2000	20.42	1.42	21.9	1
ED08020-24M*	○ ● ⊖	24	0.09	2.16	2500	25.87	2.17	26.8	2
ED08020-24H*	○ ● ⊖	24	0.14	3.36	3000	31.53	3.03	31.7	3
ED08020-24HH*	○ ● ⊖	24	0.25	6.00	3500	36.17	3.84	35.9	4

\* Bearing Type: ○ Sleeve ● Two Ball ⊖ Hydro-Dynamic